

**MOTOR SPECIFICATION SHEET**

MODEL : SC-QR 1/3HP 4P

USED FOR : STANDARD

DESCRIPTION	DETAIL			
PHASE	1			
TYPE	CAPACITOR START			
MODEL NAME	SC-QR			
RATED OUTPUT, HP (kW)	1/3 (0.25)			
POLE	4			
CODE	MEATH CODE : 1M001C-400030QRER1			
OUTLINE DRAWING NO.	ONM74O006-*			
RATED VOLTAGE (V)	220	230	220	
RATED FREQUENCY (Hz)	50	50	60	
RATED CURRENT (A)	3.1	3.2	2.8	
RATED SPEED (min <sup>-1</sup> )	1450	1450	1740	
RATED EFFICIENCY (%)	64.9	63.5	69.6	
THERMAL CLASS	120(E)			
RATING	S1 (CONTINUOUS)			
ENCLOSURE CONSTRUCTION	OPEN-PROTECTED			
DEGREES OF PROTECTION	IP20			
METHOD OF COOLING	IC01			
FRAME NO.	B71			
WEIGHT (kg)	7.6			
STANDARD	JEC-2137-2000			
EFFICIENCY RULE	IEC 60034-30-1			
INSTALLATION	FOOT MOUNTED			
ROTATION	CCW (VIEWED FROM SHAFT END)			
BEARING	LOAD SIDE : 6202ZZ			
	OPPOSITE SIDE : 6201ZZ			
BEARING GREASE	UREA GREASE			
VIBRATION	V20			
CIRCUMSTANCE CONDITION	AMBIENT TEMPERATURE : -20 ~ +40°C			
	AMBIENT HUMIDITY : 85%RH OR LESS			
	ABOVE SEA LEVEL : 1000m OR LESS			
	ENVIRONMENT : NO BURSTING/EROSIVE GAS OR VAPOR			
COLOR	MUNSELL N1.5 (BLACK)			
TERMINAL BOX	NO. OF LEAD WIRES : 2			
	SOURCE CONNECTION : TERMINAL BLOCK			
INSULATION RESISTANCE	BY DC 500V MEGGER - ≥100MΩ			
DIELECTRIC TEST	AC 50Hz 1500V - 1min. (Based on rated voltage 220V)			
SHAFT SWING	≤0.03mm			
MATERIAL	FRAME : STEEL PLATE			
	BRACKET : STEEL PLATE			
	SHAFT : CARBON STEEL			
	STATOR CORE : ELECTRICAL STEEL			
	WIRE : ENAMELLED COPPER MAGNET WIRE			
	INSULATOR : POLYESTER FILM			
	VARNISH : EPOXY DENATURALIZATION POLYESTER			
	ROTOR CORE : ELECTRICAL STEEL			
	CONDUCTOR : ALUMINIUM			
	TERMINAL BOX : PLASTIC			
	PAINTING : ALKYD-NITROCELLULOSE RESIN			
PRODUCTION COUNTRY	THAILAND			

Specifications subject to change without notice.

**SPECIFICATION SHEET NO.**

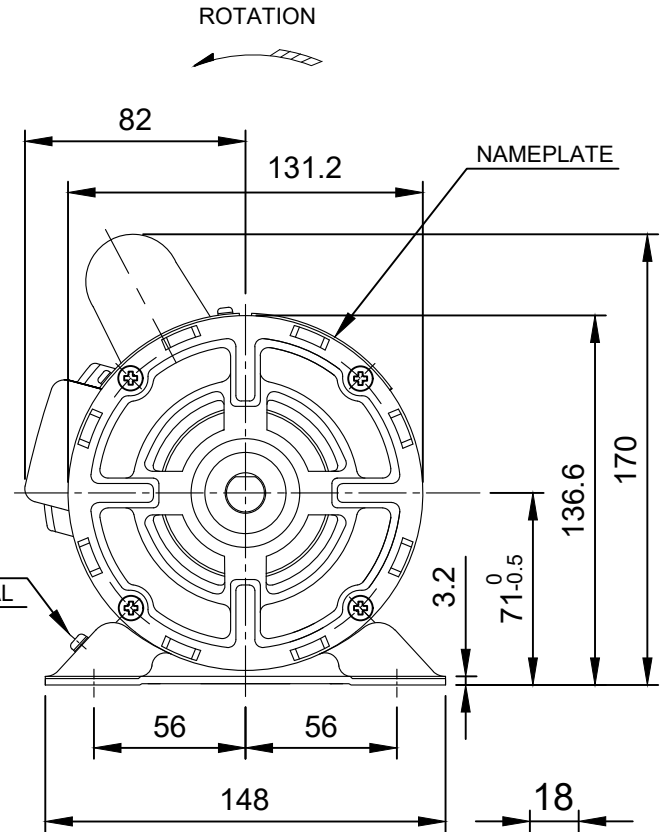
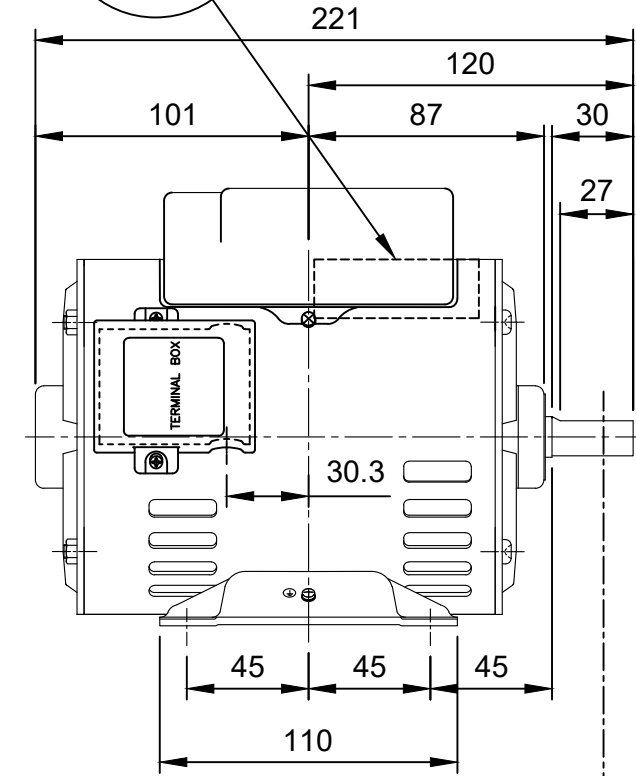
SS-M-7301-A

# MODEL SC-QR SINGLE PHASE INDUCTION MOTOR OUTLINE DRAWING

CAPACITOR START TYPE  
DEGREE OF PROTECTION IP20

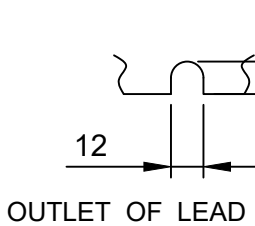
STARTING CAPACITOR	40 $\mu$ F 250 V
RUNNING CAPACITOR	-

CUSTOMER	_____
USER	_____
FOR	_____
CUSTOMER'S ORDER NO.	_____
QUANTITY	_____
MFG. ORDER NO.	_____

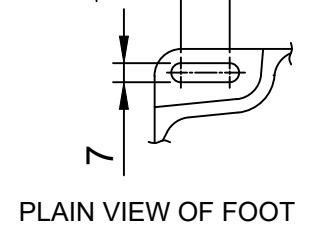
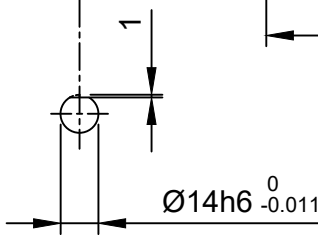


EARTH TERMINAL  
M5x0.8

ROTATION



OUTLET OF LEAD

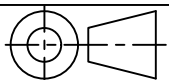


PLAIN VIEW OF FOOT

FRAME SIZE	RATING	TH. CLASS	AMB. TEMP.	BEARINGS		COLOR	DIRECTION OF ROTATION	NO. OF LEAD WIRES
				LOAD SIDE	OPP. SIDE			
B71	S1	120(E)	40°C	6202ZZ	6201ZZ	BLACK (MUNSELL N1.5)	CCW	TERMINAL BOARD

OUTPUT		POLE	Hz	VOLT	AMP	RPM	IE CODE - RATED EFF.	REMARK
HP	KW							
1/3	0.25	4	50	220/230	3.1/3.2	1450/1450	IE1- 64.9% / IE1- 63.5%	
			60	220	2.8	1740	IE1- 69.6%	

MITSUBISHI ELECTRIC AUTOMATION (THAILAND) CO.,LTD.



DIMENSION IN mm.

SCALE : NTS.

OUTLINE DRAWING NO.

**ONM740006**

REV.

